

**Strainers****Page numbers**

1/4" to 1"	25 micron strainer units with manual drain	3500.2 - 3500.3
------------	---	-----------------

**Filters****Page numbers**

1/4" to 1/2"	5 micron and 25 micron filter units with manual or automatic drain	3500.2 - 3500.3
3/4" to 1"	5 micron filter units with manual or automatic drain	3500.9, 3500.10

**Pressure regulators****Page numbers**

1/4" to 1/2"	Pressure regulators Self relieving or non relieving Accessories	3500.4 - 3500.5  3500.5
3/4" to 1"	Pressure regulators Self relieving or non relieving Accessories	3500.9, 3500.11  3500.10 - 3500.11

**Filter regulators****Page numbers**

1/4" to 1/2"	Combined filter regulator units Self relieving or non relieving Manual or automatic drain Accessories	3500.6 - 3500.7  3500.5
3/4" to 1"	Combined filter regulator units Self relieving or non relieving Manual or automatic drain Accessories	3500.9, 3500.12  3500.10 - 3500.11

**Lubricators****Page numbers**

1/2"	Automatic lubricator unit	3500.8
------	---------------------------	--------

## General description and benefits

316 stainless steel for the offshore, food, pharmaceutical and allied industries.

Provides filtration of compressed air for use in these industries.

- Large flow paths minimise pressure drop.
- 316 Stainless steel throughout.
- Large element.

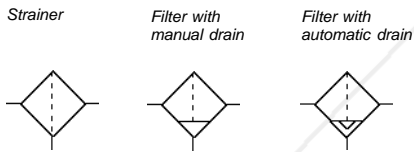
### Strainers

25 micron element with manual drain for the removal of solids.

### Filters

Large 25 micron standard element with manual or automatic drain for the removal of liquids and solids. 5 micron element option available.

## Functional symbols



## Preferred models

Model No	Description	Mass kg (lbs)
<b>Strainers</b>		
2STRSN102	1/4"NPT Strainer with manual drain	1.50 (3.31)
3STRSN102	3/8"NPT Strainer with manual drain	1.50 (3.31)
4STRSN102	1/2"NPT Strainer with manual drain	2.65 (5.84)
6STRSN102	3/4"NPT Strainer with manual drain	5.75 (12.68)
8STRSN102	1"NPT Strainer with manual drain	8.00 (17.64)
<b>Filters</b>		
2FLMSV202**	1/4"NPT Filter with manual drain	0.75 (1.65)
2FLASV172**	1/4"NPT Filter with automatic drain	1.40 (3.09)
3FLMSV202**	3/8"NPT Filter with manual drain	1.25 (2.76)
3FLASV172**	3/8"NPT Filter with automatic drain	1.50 (3.31)
4FLMSV202**	1/2"NPT Filter with manual drain	1.25 (2.76)
4FLASV172**	1/2"NPT Filter with automatic drain	1.50 (3.31)

\*\* - for 5 micron element add 05 to model number



## Technical data

### Ports NPT (BSP option available)

Strainers  
1/4", 3/8", 1/2", 3/4", 1"  
Filters  
1/4", 3/8", 1/2"

### Gauge Ports

1/8"NPT (BSP option available)

### Automatic Drain Port

1/8"NPT (BSP option available)

### Working pressure

Strainers  
10 bar (145 psi)  
Filters - manual drain  
20 bar (290 psi)  
Filters - automatic drain  
17 bar (247 psi)

### Working temperature

Ambient temperature  
-20°C to +80°C (-4°F to +176°F)

### Bowl retention capacity

1/4" - 40cc (2.44cu ins)  
1/2" - 20cc (1.22cu ins)

## Materials of construction

### Body

Stainless steel AISI 316 S11 to NACE MR-0175

### Bonnet and bowl

316 Stainless steel

### Element and internals

316 Stainless steel

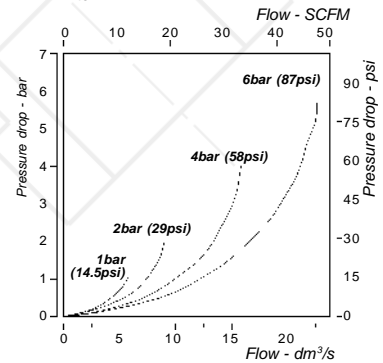
### Seals

Strainers  
Nitrile  
Filters  
Fluoroelastomer

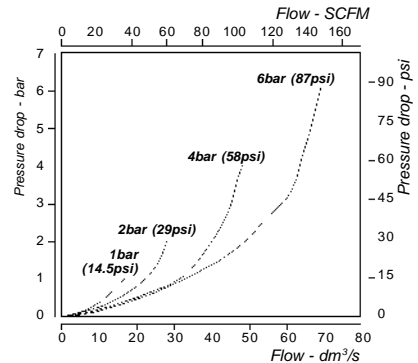
## Flow characteristics

### Pressure drop v Flow

1/4" NPT Filter



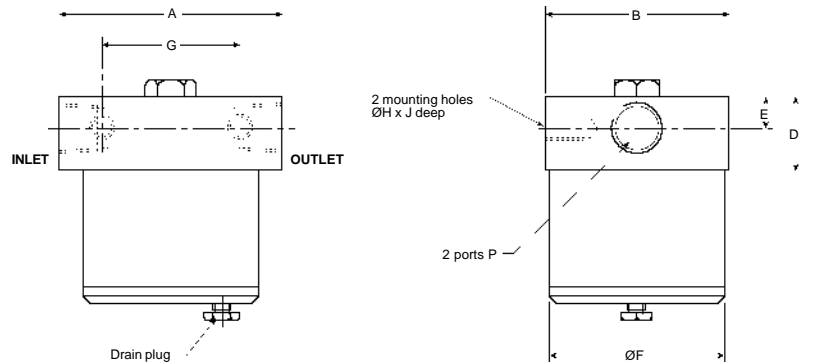
3/8" and 1/2" NPT Filter



## Installation dimensions mm (inches)

### Strainers

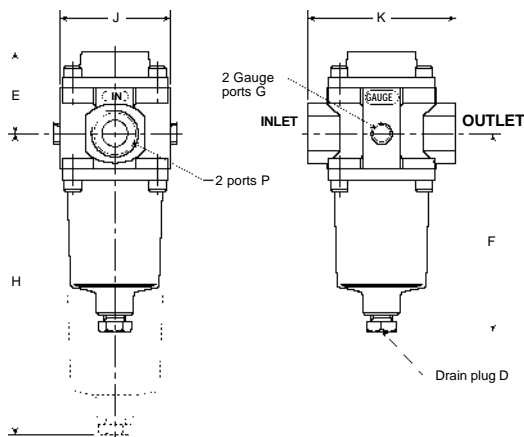
2STRSN102  
3STRSN102  
4STRSN102  
6STRSN102  
8STRSN102



Model No	Ports P	A	B	C	D	E	F	G	H	J
2STRSN102	1/4" NPT	73 (2.87)	57 (2.24)	88 (3.46)	25.4 (1.00)	11 (0.43)	51 (2.01)	50 (1.97)	M6	12 (0.47)
3STRSN102	3/8" NPT	73 (2.87)	57 (2.24)	88 (3.46)	25.4 (1.00)	11 (0.43)	51 (2.01)	50 (1.97)	M6	12 (0.47)
4STRSN102	1/2" NPT	98 (3.78)	78 (2.99)	89 (3.50)	32 (1.26)	14 (0.55)	76 (2.99)	60 (2.36)	M8	16 (0.63)
6STRSN102	3/4" NPT	127 (5.00)	108 (4.25)	104 (4.09)	37.6 (1.48)	17 (0.67)	101 (3.98)	80 (3.15)	M10	20 (0.79)
8STRSN102	1" NPT	127 (5.00)	108 (4.25)	177 (6.97)	50 (1.97)	25 (0.98)	101 (3.98)	80 (3.15)	M12	24 (0.94)

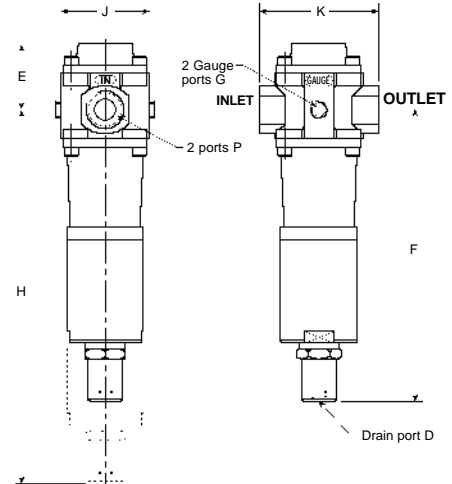
### Filters with manual drain

2FLMSV202\*\*  
3FLMSV202\*\*  
4FLMSV202\*\*



### Filters with automatic drain

2FLASV172\*\*  
3FLASV172\*\*  
4FLASV172\*\*



Filter mounting bracket - order part number SSAF238/27

Model No	Ports P	Port D	Plug D	Port G	E	F	H	J	K
<b>With manual drain</b>									
2FLMSV202**	1/4" NPT	-	M5	1/8" NPT	33 (1.30)	86.8 (3.42)	135 (5.31)	52 (2.05)	52 (2.05)
3FLMSV202**	3/8" NPT	-	M5	1/8" NPT	38 (1.50)	92.8 (3.65)	142 (5.59)	52 (2.05)	70 (2.20)
4FLMSV202**	1/2" NPT	-	M5	1/8" NPT	38 (1.50)	92.8 (3.65)	142 (5.59)	52 (2.05)	70 (2.20)
<b>With automatic drain</b>									
2FLASV172**	1/4" NPT	1/8" NPT	-	1/8" NPT	33 (1.30)	166 (6.54)	215 (8.46)	52 (2.05)	52 (2.05)
3FLASV172**	3/8" NPT	1/8" NPT	-	1/8" NPT	38 (1.50)	172 (6.77)	221 (8.70)	52 (2.05)	70 (2.20)
4FLASV172**	1/2" NPT	1/8" NPT	-	1/8" NPT	38 (1.50)	172 (6.77)	221 (8.70)	52 (2.05)	70 (2.20)

Dimension H = clearance required below pipe centreline to enable bowl to be removed.

### General description and benefits

316 stainless steel for the offshore, food, pharmaceutical and allied industries.

Provides pressure regulation of compressed air for use in these industries.

- 316 Stainless steel throughout.
- Large flow.
- High relief flow.
- Integral mounting holes.
- Secure labelling.
- Tagging facility built in.
- Full range of accessories.



### Technical data

**Ports NPT (BSP option available)**  
1/4", 3/8", 1/2"

**Gauge ports**  
1/8"NPT (BSP option available)

**Relief / vent port**  
1/8"NPT (BSP option available)

**Maximum inlet pressure**  
20 bar (290 psi)

**Regulated pressure**  
0.05 to 2 bar (0.7 to 29 psi)  
0.05 to 4 bar (0.7 to 58 psi)  
0.25 to 7 bar (3.6 to 102 psi)  
0.25 to 10 bar (3.6 to 145 psi)  
0.50 to 16 bar (7.2 to 232 psi)

**Maximum bleed flow**  
at 2 bar (29 psi) secondary pressure  
0.5cc/sec (0.03cu in/sec)

**Working temperature**  
Ambient temperature  
-20°C to +80°C (-4°F to +176°F)

### Materials of construction

**Body**  
Stainless steel AISI 316 S11  
to NACE MR-0175

**Bonnet**  
316 Stainless steel

**Diaphragm and valve assembly**  
Fluoroelastomer and 316 Stainless steel

**Valve spring**  
Inconel X750

**Adjustment spring**  
316 Stainless steel

**Seals**  
Fluoroelastomer

### Functional symbols

Self relieving



Non relieving



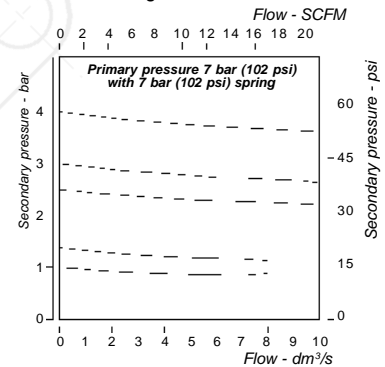
### Preferred models

Model No	Description	Mass kg (lbs)
<b>Self relieving</b>		
2PRVSV**2	1/4"NPT Pressure regulator	0.80 (1.76)
3PRVSV**2	3/8"NPT Pressure regulator	1.20 (2.64)
4PRVSV**2	1/2"NPT Pressure regulator	1.20 (2.64)
<b>Non relieving</b>		
2PRNSV**2	1/4"NPT Pressure regulator	0.80 (1.76)
3PRNSV**2	3/8"NPT Pressure regulator	1.20 (2.64)
4PRNSV**2	1/2"NPT Pressure regulator	1.20 (2.64)

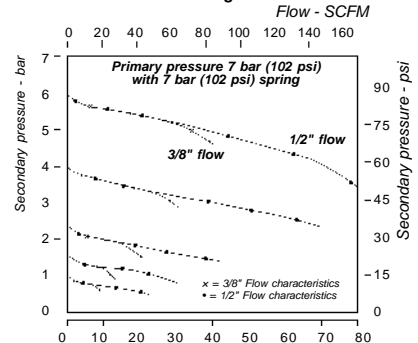
\*\* - for regulated pressure add code:-  
 0.05 to 2 bar (0.7 to 29 psi) - code 02  
 0.05 to 4 bar (0.7 to 58 psi) - code 04  
 0.25 to 7 bar (3.6 to 102 psi) - code 07  
 0.25 to 10 bar (3.6 to 145 psi) - code 10  
 0.50 to 16 bar (7.2 to 232 psi) - code 16

### Flow characteristics

1/4" NPT Pressure regulator



3/8" and 1/2" NPT Pressure regulator



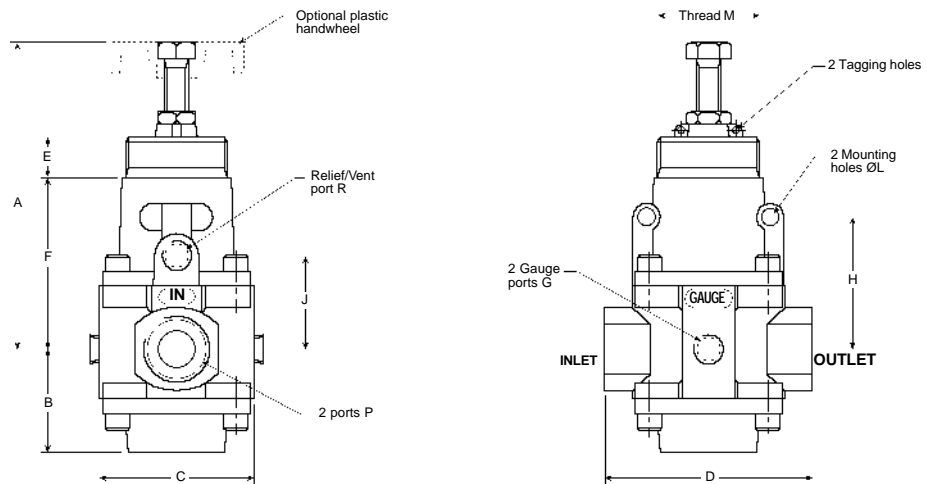
# PRESSURE REGULATORS - SELF RELIEVING PRESSURE REGULATORS - NON RELIEVING

**316**  
STAINLESS STEEL

## Installation dimensions mm (inches)

### Pressure regulators - self relieving and non relieving

2PRVSV\*\*2      2PRNSV\*\*2  
3PRVSV\*\*2      3PRNSV\*\*2  
4PRVSV\*\*2      4PRNSV\*\*2



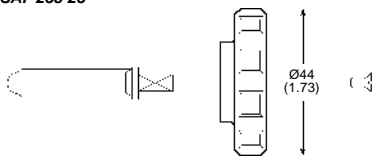
Model No	Ports P	Port G	Port R	A	B	C	D	E	F	H	J	K	L	M
2PRVSV**2	1/4" NPT	1/8" NPT	1/8" NPT	99	28	52	52	13	52	39	26	41	6.35	M34 x 1.5
	1/4" NPT	1/8" NPT	1/8" NPT	(3.90)	(1.10)	(2.05)	(2.05)	(0.51)	(2.05)	(1.54)	(1.02)	(1.61)	(2.50)	M34 x 1.5
3PRVSV**2	3/8" NPT	1/8" NPT	1/8" NPT	103	34	52	70	13	57	44	31	41	6.35	M34 x 1.5
	3/8" NPT	1/8" NPT	1/8" NPT	(4.06)	(1.34)	(2.05)	(2.76)	(0.51)	(2.24)	(1.73)	(1.22)	(1.61)	(2.50)	M34 x 1.5
4PRVSV**2	1/2" NPT	1/8" NPT	1/8" NPT	103	34	52	70	13	57	44	31	41	6.35	M34 x 1.5
	1/2" NPT	1/8" NPT	1/8" NPT	(4.06)	(1.34)	(2.05)	(2.76)	(0.51)	(2.24)	(1.73)	(1.22)	(1.61)	(2.50)	M34 x 1.5

Dimensions for non relieving models are same as self relieving models above.

## ACCESSORIES

### Plastic handwheel kit

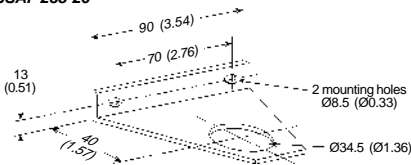
Plastic handwheel kit  
SSAF 238-23



Kit comprises:  
1 - Handwheel, 1 - Pressure adjustment screw  
1 - Handwheel retaining screw

### Mounting bracket

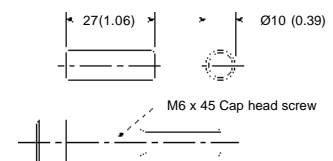
Mounting bracket kit  
SSAF 238-26



Kit comprises: 1 - Bracket, 1 - Panel nut

### Pillar mounting kit

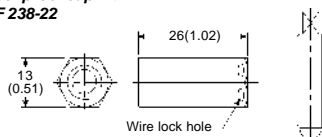
Pillar mounting kit  
SSAF 238-21



Kit comprises: 2 - Pillars, 2 - Screws

### Tamper proof cap kit

Tamper proof cap kit  
SSAF 238-22



Kit comprises  
1 - Pressure adjustment screw, 1 - Tamper proof cap

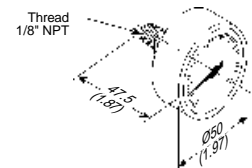
### Panel mounting kit

Panel mounting kit  
SSAF238-20



### Pressure Gauge

50mm Pressure gauge  
SSAF153N/10



### General description and benefits

316 stainless steel for the offshore, food, pharmaceutical and allied industries.

A combination unit for filtration and pressure regulation of compressed air for use in these industries.

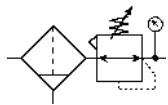
- 316 Stainless steel throughout.
- Large flow paths minimise pressure drop.
- Integral mounting holes.
- Tagging facility built in.

#### Filter unit

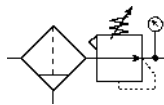
Large 25 micron standard element with manual or automatic drain for the removal of liquids and solids. 5 micron element option available.

### Functional symbols

Self relieving



Non relieving



### Technical data

**Ports NPT (BSP option available)**  
1/4", 3/8", 1/2"

#### Gauge ports

1/8"NPT (BSP option available)

#### Relief / vent port

1/8"NPT (BSP option available)

#### Maximum inlet pressure

Manual drain  
20 bar (290 psi)  
Automatic drain  
17 bar (247 psi)

#### Regulated pressure

0.05 to 2 bar (0.7 to 29 psi)  
0.05 to 4 bar (0.7 to 58 psi)  
0.25 to 7 bar (3.6 to 102 psi)  
0.25 to 10 bar (3.6 to 145 psi)  
0.50 to 16 bar (7.2 to 232 psi)

#### Maximum bleed flow

at 2 bar (29 psi) secondary pressure  
0.5cc/sec (0.03cu in/sec)

#### Working temperature

Ambient temperature  
-20°C to +80°C (-4°F to +176°F)  
Low temperature version  
-50°C (-58°F)  
Contact Customer Services for details

#### Bowl retention capacity

1/4" - 40cc (2.44cu ins)  
1/2" - 20cc (1.22cu ins)



### Materials of construction

#### Body

Stainless steel AISI 316 S11  
to NACE MR-0175

#### Bonnet and bowl

316 Stainless steel

#### Element and internals

316 Stainless steel

#### Diaphragm and valve assembly

Fluoroelastomer and 316 Stainless steel

#### Valve spring

Inconel X750

#### Adjustment spring

316 Stainless steel

#### Seals

Fluoroelastomer

### Preferred models

Model No	Description	Mass kg (lbs)
<b>Self relieving</b>		
2FRMSV**2	1/4"NPT Filter regulator, manual drain	1.05 (2.31)
2FRASV**2	1/4"NPT Filter regulator, automatic drain	1.40 (3.09)
3FRMSV**2	3/8"NPT Filter regulator, manual drain	1.30 (2.87)
3FRASV**2	3/8"NPT Filter regulator, automatic drain	1.60 (3.53)
4FRMSV**2	1/2"NPT Filter regulator, manual drain	1.30 (2.87)
4FRASV**2	1/2"NPT Filter regulator, automatic drain	1.60 (3.53)

#### Non relieving

Specify model code 'FRN' in place of 'FRM' for manual drain versions.  
Specify model code 'FRB' in place of 'FRA' for automatic drain versions.

\*\* - for regulated pressure add code:-  
0.05 to 2 bar (0.7 to 29 psi) - code 02  
0.05 to 4 bar (0.7 to 58 psi) - code 04  
0.25 to 7 bar (3.6 to 102 psi) - code 07  
0.25 to 10 bar (3.6 to 145 psi) - code 10  
0.50 to 16 bar (7.2 to 232 psi) - code 16

### Flow characteristics

For filter pressure drop characteristics  
see graphs on page 3500.2

For pressure regulator characteristics  
see graphs on page 3500.4

# FILTER REGULATORS - SELF RELIEVING FILTER REGULATORS - NON RELIEVING

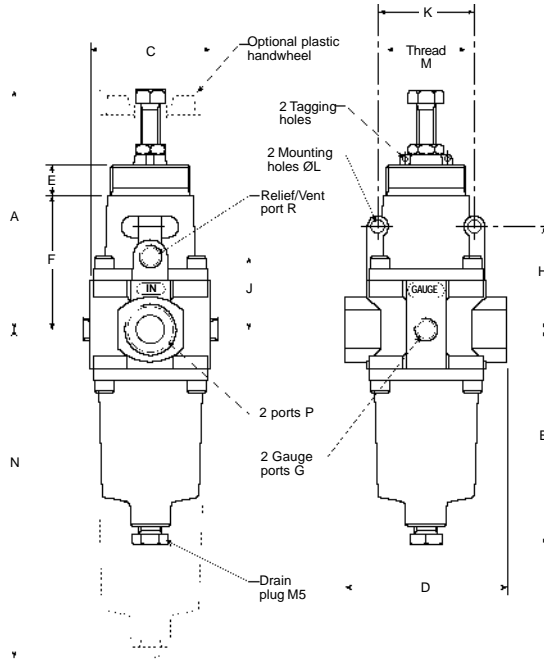
316

STAINLESS STEEL

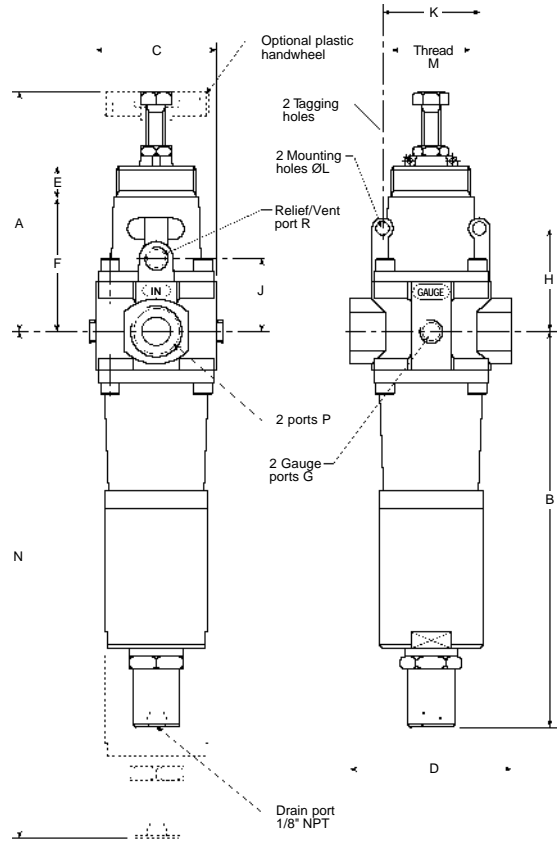
## Installation dimensions mm (inches)

### Filter regulators - self relieving and non relieving

2FRMSV\*\*2  
3FRMSV\*\*2  
4FRMSV\*\*2



2FRASV\*\*2  
3FRASV\*\*2  
4FRASV\*\*2



Model No	Ports P	Port G	Port R	A	B	C	D	E	F	H	J	K	L	M	N
<b>Manual drain</b>															
2FRMSV**2	1/4" NPT	1/8" NPT	1/8" NPT	99	86.8	52	52	13	52	39	26	41	6.35	M34 x 1.5	135
	1/4" NPT	1/8" NPT	1/8" NPT	(3.90)	(3.42)	(2.05)	(2.05)	(0.51)	(2.05)	(1.54)	(1.02)	(1.61)	(2.50)	M34 x 1.5	(5.31)
3FRMSV**2	3/8" NPT	1/8" NPT	1/8" NPT	104	92.8	52	70	13	57	44	31	41	6.35	M34 x 1.5	141
	3/8" NPT	1/8" NPT	1/8" NPT	(4.09)	(3.65)	(2.05)	(2.76)	(0.51)	(2.24)	(1.73)	(1.22)	(1.61)	(2.50)	M34 x 1.5	(5.55)
4FRMSV**2	1/2" NPT	1/8" NPT	1/8" NPT	104	92.8	52	70	13	57	44	31	41	6.35	M34 x 1.5	141
	1/2" NPT	1/8" NPT	1/8" NPT	(4.09)	(3.65)	(2.05)	(2.76)	(0.51)	(2.24)	(1.73)	(1.22)	(1.61)	(2.50)	M34 x 1.5	(5.55)
<b>Automatic drain</b>															
2FRASV**2	1/4" NPT	1/8" NPT	1/8" NPT	99	166	52	52	13	52	39	26	41	6.35	M34 x 1.5	215
	1/4" NPT	1/8" NPT	1/8" NPT	(3.90)	(6.54)	(2.05)	(2.05)	(0.51)	(2.05)	(1.54)	(1.02)	(1.61)	(2.50)	M34 x 1.5	(8.46)
3FRASV**2	3/8" NPT	1/8" NPT	1/8" NPT	104	172	52	70	13	57	44	31	41	6.35	M34 x 1.5	221
	3/8" NPT	1/8" NPT	1/8" NPT	(4.09)	(6.77)	(2.05)	(2.76)	(0.51)	(2.24)	(1.73)	(1.22)	(1.61)	(2.50)	M34 x 1.5	(8.70)
4FRASV**2	1/2" NPT	1/8" NPT	1/8" NPT	104	172	52	70	13	57	44	31	41	6.35	M34 x 1.5	221
	1/2" NPT	1/8" NPT	1/8" NPT	(4.09)	(6.77)	(2.05)	(2.76)	(0.51)	(2.24)	(1.73)	(1.22)	(1.61)	(2.50)	M34 x 1.5	(8.70)

Dimension N = clearance required below pipe centreline to enable bowl to be removed.  
Dimensions for non relieving models are same as self relieving models above.

For optional handwheel, tamper proof cap, gauge and mounting accessories see details on page 3500.5



## General description and benefits

316 stainless steel for the offshore, food, pharmaceutical and allied industries.

Provides lubrication of compressed air for use in these industries.

- Accurate drip rate adjustment.
- Can be filled under pressure.
- Transparent sight feed dome gives clear visibility of oil supply.
- Built in flow sensor automatically adjusts lubrication delivery to meet wide air flow demand.



## Functional symbol



## Technical data

**Ports NPT (BSP option available)**  
1/2"

**Working pressure**  
17 bar (247 psi)

**Working temperature**  
Ambient temperature  
-20°C to +80°C (-4°F to +176°F)

**Capacity**  
380cc (23.2cu in)

## Materials of construction

**Body**  
Stainless steel AISI 316 S11 to NACE MR-0175

**Bowl**  
316 Stainless steel

**Flow and sight glass**  
Acryl

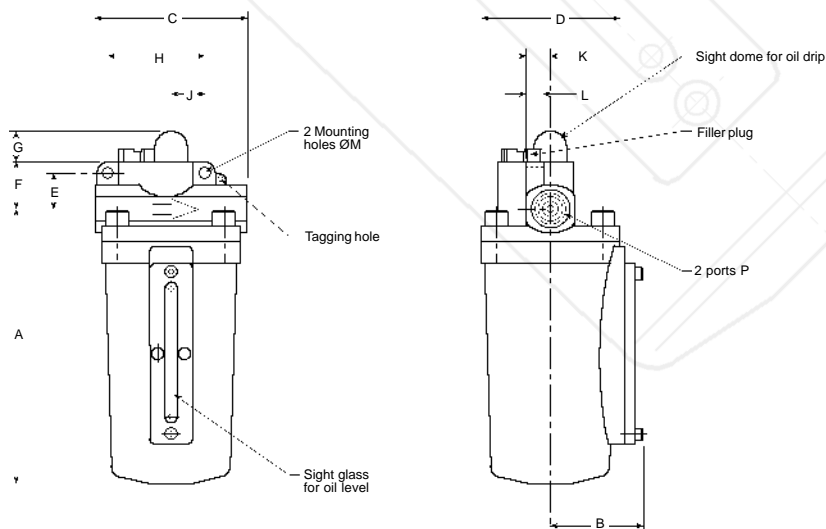
**Seals**  
Nitrile and Fluoroelastomer

## Preferred models

Model No	Description	Mass kg (lbs)
4LUBSN172	1/2"NPT Lubricator	1.80 (3.97)

## Installation dimensions mm (inches)

4LUBSN172



Model No	Ports P	A	B	C	D	E	F	G	H	J	K	L	M
4LUBSN172	1/2" NPT	156	52	85	80	20	26	17.5	55	19	14	10	6.5
	1/2" NPT	(6.14)	(2.05)	(3.35)	(3.15)	(0.79)	(1.02)	(6.89)	(2.17)	(0.75)	(0.55)	(0.39)	(0.26)



## General description and benefits

Full range of 316 stainless steel large flow air service equipment for the offshore, food, pharmaceutical and allied industries.

- 316 Stainless steel throughout.
- Large flow paths minimise pressure drop.
- Clean lines
- Integral mounting holes.

## Functional symbols

### Filters

Filter with manual drain



Filter with automatic drain



### Regulators

Self relieving

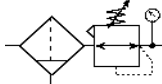


Non relieving

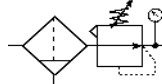


### Filter / Regulators

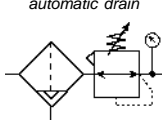
Self relieving with manual drain



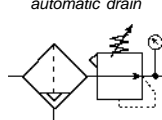
Non relieving with manual drain



Self relieving with automatic drain



Non relieving with automatic drain



## Technical data

**Ports NPT (BSP option available)**  
3/4", 1"

**Gauge ports**  
1/8"NPT (BSP option available)

**Relief / vent port**  
1/8"NPT (BSP option available)  
complete with bug screen

**Filtration**  
5 micron

**Working pressure**  
*Filters and Filter regulators*  
*Manual drain*  
20 bar (290 psi)  
*Automatic drain*  
17 bar (247 psi)  
*Regulators*  
*Maximum inlet pressure*  
20 bar (290 psi)

**Working temperature**  
*Ambient temperature*  
-20°C to +80°C (-4°F to +176°F)

**Bowl retention**  
260cc (15.87cu ins)

**Regulated pressure**  
0.1 to 2 bar ( 1.45 to 29 psi)  
0.2 to 4 bar ( 2.90 to 58 psi)  
0.3 to 7 bar ( 4.35 to 102 psi)  
0.5 to 10 bar ( 7.25 to 145 psi)  
0.8 to 16 bar (11.60 to 232 psi)

**Maximum bleed flow**  
*at 2 bar (29 psi) secondary pressure*  
0.5cc/sec (0.03cu in/sec)

**Flow capacity**  
**Filter**  
*at 7 bar (102 psi) supply pressure, 0.35 bar (5 psi) pressure drop*  
167dm<sup>3</sup>/sec (353 SCFM)

**Regulator**  
*at 7 bar (102 psi) inlet pressure, 6 bar (87psi) secondary pressure*  
130dm<sup>3</sup>/sec (274 SCFM)

**Filter / Regulator**  
*at 7 bar (102 psi) inlet pressure, 6 bar (87psi) secondary pressure*  
130dm<sup>3</sup>/sec (274 SCFM)

## Materials of construction

**Body**  
Stainless steel AISI 316 S11  
to NACE MR-0175

**Bonnet and bowl**  
316 Stainless steel

**Element**  
Sintered polypropylene

**Diaphragm**  
Nitrile and 316 Stainless steel

**Valve spring**  
Inconel X750

**Adjustment spring**  
316 Stainless steel

**Seals and valve assembly**  
Fluoroelastomer

## Flow characteristics

*For filter pressure drop characteristics see graphs on page 3500.10*

*For pressure regulator characteristics see graphs on page 3500.11*

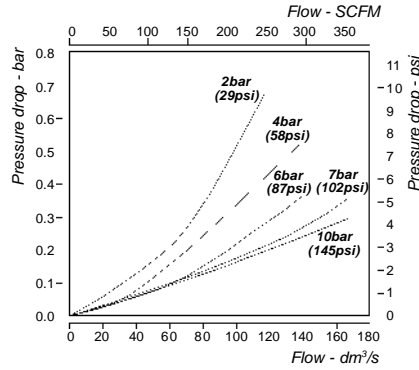
## General description and benefits

316 stainless steel compressed air filters to provide clean dry air for the offshore, petro-chemical and allied industries.

- 5 micron element.
- Manual / auto drain.
- Large flow paths minimise pressure drop.

## Flow characteristics

### Pressure drop v Flow



## Functional symbols, Technical data and Materials of construction

See details on page 3500.9

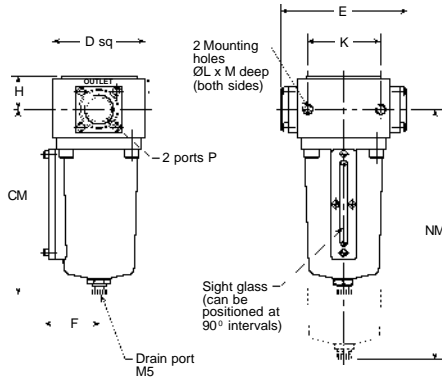
## Preferred models

Model No	Description	Mass kg (lbs)
6FLMSV202	3/4"NPT Filter with manual drain	3.75 (8.27)
6FLASV172	3/4"NPT Filter with automatic drain	3.75 (8.27)
8FLMSV202	1"NPT Filter with manual drain	3.75 (8.27)
8FLASV172	1"NPT Filter with automatic drain	3.75 (8.27)

## Installation dimensions mm (inches)

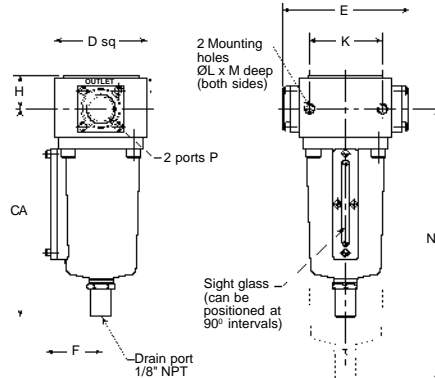
### Filters with manual drain

6FLMSV202, 8FLMSV202



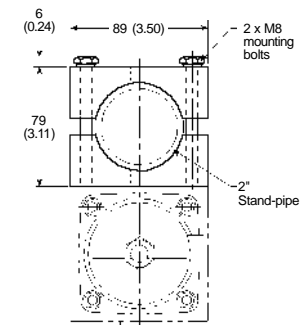
### Filters with automatic drain

6FLASV172, 8FLASV172



### Mounting brackets

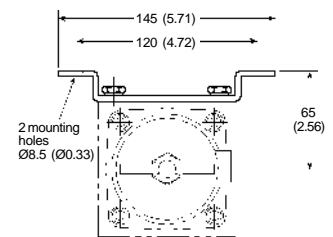
Stand-pipe mounting kit  
SSAF 638-28



Model No	Ports P	CA	CM	D	E	F	H	K	L	M	NA	NM
<b>With manual drain</b>												
6FLMSV202	3/4" NPT	-	180	87.5	120	52	30.5	70	M8	12	-	260
	3/4" NPT	-	(7.09)	(3.44)	(4.72)	(2.05)	(1.20)	(2.76)	M8	(0.47)	-	(10.24)
8FLMSV202	1" NPT	-	180	87.5	120	52	30.5	70	M8	12	-	260
	1" NPT	-	(7.09)	(3.44)	(4.72)	(2.05)	(1.20)	(2.76)	M8	(0.47)	-	(10.24)
<b>With automatic drain</b>												
6FLASV172	3/4" NPT	201	-	87.5	120	52	30.5	70	M8	12	281	-
	3/4" NPT	(7.91)	-	(3.44)	(4.72)	(2.05)	(1.20)	(2.76)	M8	(0.47)	(11.06)	-
8FLASV172	1" NPT	201	-	87.5	120	52	30.5	70	M8	12	281	-
	1" NPT	(7.91)	-	(3.44)	(4.72)	(2.05)	(1.20)	(2.76)	M8	(0.47)	(11.06)	-

Dimension NA or NM = clearance required below pipe centreline to enable bowl to be removed.

Mounting kit  
SSAF 638-26



# PRESSURE REGULATORS - SELF RELIEVING PRESSURE REGULATORS - NON RELIEVING

**316**  
STAINLESS STEEL

## General description and benefits

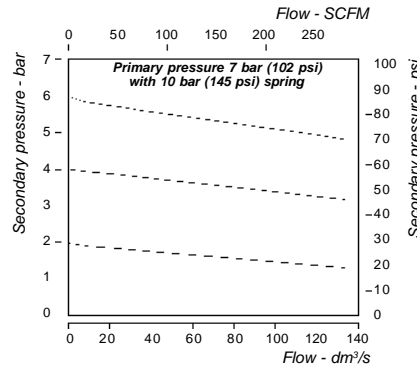
316 stainless steel pressure regulators to provide pressure regulation of compressed air in the offshore, petro-chemical and allied industries.

- Large flow.
- 5 pressure ranges.
- High relief flow.

## Functional symbols, Technical data and Materials of construction

See details on page 3500.9

## Flow characteristics Secondary pressure v Flow



## Preferred models

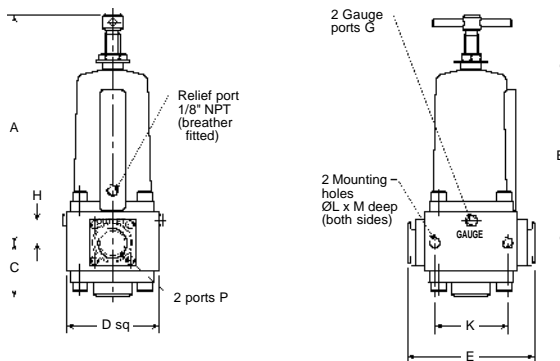
Model No	Description	Mass kg (lbs)
<b>Self relieving</b>		
6PRVSV**2	3/4"NPT Pressure regulator	5.00 (11.0)
8PRVSV**2	1"NPT Pressure regulator	5.00 (11.0)
<b>Non relieving</b>		
6PRNSV**2	3/4"NPT Pressure regulator	5.00 (11.0)
8PRNSV**2	1"NPT Pressure regulator	5.00 (11.0)

\*\* - for regulated pressure add code:-  
0.1 to 2 bar ( 1.45 to 29 psi) - code 02  
0.2 to 4 bar ( 2.90 to 58 psi) - code 04  
0.3 to 7 bar ( 4.35 to 102 psi) - code 07  
0.5 to 10 bar ( 7.25 to 145 psi) - code 10  
0.8 to 16 bar (11.60 to 232 psi) - code 16

## Installation dimensions mm (inches)

### Pressure regulators - self relieving and non relieving

6PRVSV\*\*2, 8PRVSV\*\*2, 6PRNSV\*\*2, 8PRNSV\*\*2

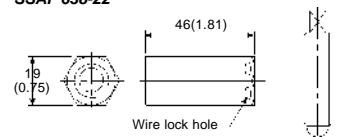


Model No	Ports P	Port G	A	B	C	D	E	H	K	L	M
6PRVSV**2	3/4" NPT	1/8" NPT	219	174	53	87.5	120	21.5	70	M8	12
	3/4" NPT	1/8" NPT	(8.62)	(6.85)	(2.09)	(3.44)	(4.72)	(0.85)	(2.76)	M8	(0.47)
8PRVSV**2	1" NPT	1/8" NPT	219	174	53	87.5	120	21.5	70	M8	12
	1" NPT	1/8" NPT	(8.62)	(6.85)	(2.09)	(3.44)	(4.72)	(0.85)	(2.76)	M8	(0.47)

Dimensions for non relieving models (6PRNSV\*\*2 and 8PRNSV\*\*2) are same as self relieving models above.

### Tamper proof cap kit

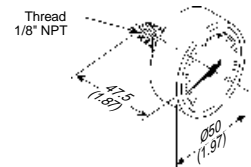
Tamper proof cap kit  
SSAF 638-22



Kit comprises  
1 - Pressure adjustment screw,  
1 - Tamper proof cap

### Pressure Gauge

50mm Pressure gauge (10 bar)  
SSAF153N-10



Other ranges of pressure gauge are available - details on request

## FILTER REGULATORS - SELF RELIEVING FILTER REGULATORS - NON RELIEVING

### General description and benefits

316 stainless steel combined unit for filtration and pressure regulation of compressed air in the offshore, petro-chemical and allied industries.

- Large flow paths minimise pressure drop.
- 5 micron element.
- 5 pressure ranges.

### Preferred models

Model No	Description	Mass kg (lbs)
<b>Self relieving</b>		
6FRMSV**2	3/4"NPT Filter with manual drain	5.75 (12.7)
6FRASV**2	3/4"NPT Filter with automatic drain	5.75 (12.7)
8FRMSV**2	1"NPT Filter with manual drain	5.75 (12.7)
8FRASV**2	1"NPT Filter with automatic drain	5.75 (12.7)
<b>Non relieving</b>		
Specify model code 'FRN' in place of 'FRM' for manual drain versions.		
Specify model code 'FRB' in place of 'FRA' for automatic drain versions.		

### Functional symbols, Technical data and Materials of construction

See details on page 3500.9

### Flow characteristics

For filter pressure drop characteristics see graphs on page 3500.10

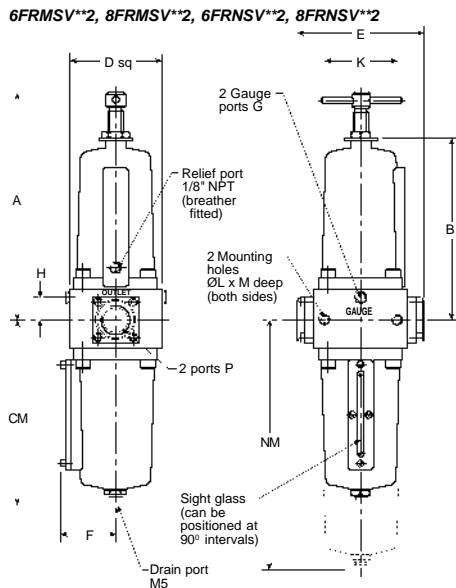
For pressure regulator characteristics see graphs on page 3500.11



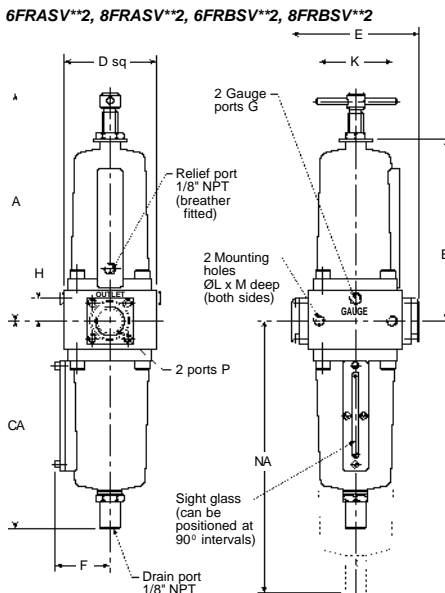
\*\* - for regulated pressure add code:-  
0.1 to 2 bar ( 1.45 to 29 psi) - code 02  
0.2 to 4 bar ( 2.90 to 58 psi) - code 04  
0.3 to 7 bar ( 4.35 to 102 psi) - code 07  
0.5 to 10 bar ( 7.25 to 145 psi) - code 10  
0.8 to 16 bar (11.60 to 232 psi) - code 16

### Installation dimensions mm (inches)

#### Filter regulators with manual drain



#### Filter regulators with automatic drain



#### Mounting brackets

Stand-pipe mounting kit SSAF 638-28  
Mounting kit SSAF 638-26

For dimensional details see page 3500.10

#### Tamper proof cap kit

Tamper proof cap kit SSAF 638-22

For dimensional details see page 3500.11

#### Pressure Gauge

50mm Pressure gauge SSAF153N/10

For dimensional details see page 3500.11

Model No	Ports P	Port G	A	B	CA†	CM	D	E	F	H	K	L	M	NA†	NM
6FRMSV**2	3/4" NPT	1/8" NPT	219	174	201	180	87.5	120	52	21.5	70	M8	12	281	260
	3/4" NPT	1/8" NPT	(8.62)	(6.85)	(7.91)	(7.09)	(3.44)	(4.72)	(2.05)	(0.85)	(2.76)	M8	(0.47)	(11.06)	(10.24)
8FRMSV**2	1" NPT	1/8" NPT	219	174	201	180	87.5	120	52	21.5	70	M8	12	281	260
	1" NPT	1/8" NPT	(8.62)	(6.85)	(7.91)	(7.09)	(3.44)	(4.72)	(2.05)	(0.85)	(2.76)	M8	(0.47)	(11.06)	(10.24)

Dimension NA or NM = clearance required below pipe centreline to enable bowl to be removed.

Dimensions for non relieving models (6FRNSV\*\*2, 8FRNSV\*\*2, 6FRBSV\*\*2 and 8FRBSV\*\*2) are same as self relieving models above.

† = Dimensions CA and NA relate to models with automatic drain (6FRASV\*\*2, 8FRASV\*\*2, 6FRBSV\*\*2 and 8FRBSV\*\*2)