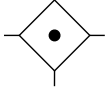


# Coalescing Filter – Miniature SM1



**SM1-02-EYV0**

## Features

- Stainless Steel Construction Handles Most Corrosive Environments
- Meets NACE Specifications
- High Flow: 1/4" – 16 SCFM

= "Most Popular"

## Specifications

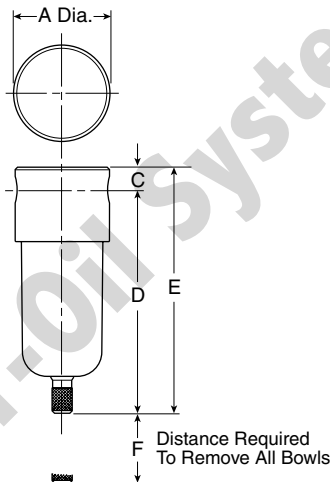
Flow Capacity*	Port Size	0.3 Micron 16 SCFM
Bowl Capacity		1.0 Ounces
Filter Rating		0.3 Micron
Port Threads		1/4 Inch
Pressure & Temperature Ratings		0 to 300 PSIG (0 to 20.7 bar) 40°F to 180°F (4°C to 82°C)
Useful Retention**		0.4 Ounce
Weight		0.6 lb. (0.27 kg)

\* Inlet pressure 90 PSIG (6.2 bar) and 5 PSID (0.3 bar) pressure drop.

\*\* Useful Retention refers to volume below the quiet zone baffle.

## Materials of Construction

Body	316 Stainless Steel
Bowl	316 Stainless Steel
Drain (Manual)	316 Stainless Steel
Element Holder	Acetal
Filter Element	Borosilicate Fiber
Seals	Fluorocarbon



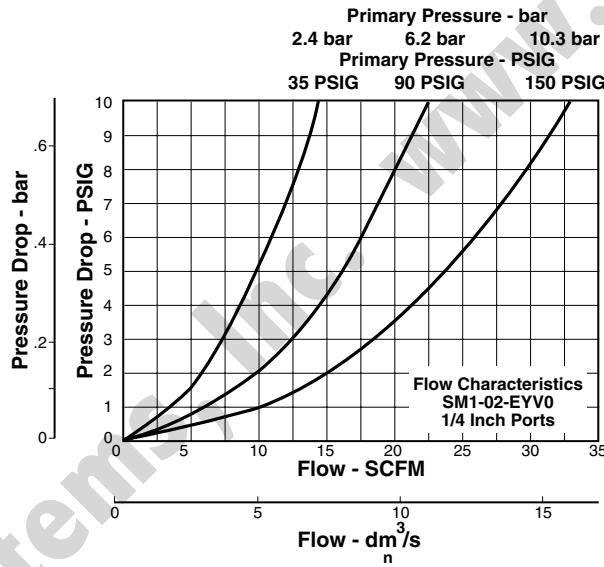
## Dimensions

Models	Inches (mm)	A	C	D	E	F
Miniature Unit SM1-02-XXXX		1.57 (40)	0.31 (8)	3.69 (94)	4.00 (102)	1.58 (40)

= "Most Popular"

### SM1 Filter Kits & Accessories

- Filter Element Kits – 0.3 Micron..... SRP-96-005
- Manual Drain ..... SRP-96-008
- Pipe Nipple – 1/4" 316 Stainless Steel ..... SRP-96-009



### Ordering Information

Model Type	Port Size	Model Number
Manual Drain	1/4	SM1-02-EYV0

Options - To order an option supplied with the unit model, add the appropriate coded suffix letter in the designated position of the model number.

