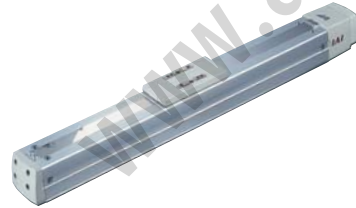


IAI

Quality and Innovation



E A S Y
A U T O M A T I O N

SCARA Robots

Integrated Systems

Linear Actuators

ROBO Cylinders

vision • dispensing • pick & place • insertion • sealing • testing & more

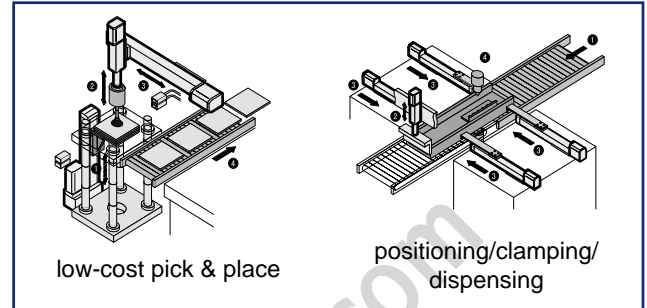
www.intelligentactuator.com

At last, there's a smart and cost-effective way to escape the hassles of air cylinders and get full control over your production. Coming complete with controller (and no air supply!), the **electric** ROBO Cylinder family of products are fully programmable, extremely affordable, easy-to-use, and can save you up to 90% in running costs compared with pneumatic cylinders.

Be the first to build a completely airless system... before your competition beats you to it!

Electrifying Advantages

- ✓ Custom control over position, speed, acceleration / deceleration & torque
- ✓ Complete systems starting at prices as low as \$590!
- ✓ No programming necessary
- ✓ Maximum 64 positioning points
- ✓ Repeatability of up to $\pm 0.02\text{mm}$
- ✓ Maximum programmable push force of 873N
- ✓ Stepper & servo motors available



low-cost pick & place

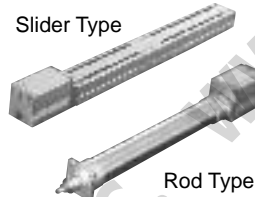
positioning/clamping/
dispensing

View more application videos at
www.intelligentactuator.com

Note: Maximum possible figures are listed for payload and speed. Actual figures will vary according to your application environment.

Easy-to-use. Economical. ERC series

Slider Type



Rod Type

	Slider Type		Rod Type	
	SA6	SA7	RA54	RA64
Max. Stroke (mm)	600	600	300	300
Max. (H) Payload (kg)	12	20	—	—
Max. (V) Payload (kg)	6	10	18	25
Max. Speed (mm/sec)	600	450	600	450

High Payload. High Push Force. RCP2 series



	Slider Type					Rod Type				
						Standard Type			Dustproof / Water Splash-proof Type (IP65)	
	SA5	SA6	SA7	SS/SSR	SM/SMR	RXA	RSA	RMA	RSW	RMW
Max. Stroke (mm)	500	600	800	600	1000	200	300	300	300	300
Max. (H) Payload (kg)	8	12	40	30	55	—	—	—	—	—
Max. (V) Payload (kg)	4.5	6	15	12/10	20	10	19	26	19	26
Max. Speed (mm/sec)	600	600	533	600	666/600	187	458	450	450	320

High Speed. High Precision. RCS series



	Slider Type					Rod Type			Flat Type
						Short Type	Slim Type		
	SA4	SA5	SA6	SS/SSR	SM/SMR	RB75	RA35	RA45/RA55	F45/F55
Max. Stroke (mm)	300	500	600	600	1000	300	150	200/300	200/300
Max. (H) Payload (kg)	5	8	12	30	60	—	—	—	—
Max. (V) Payload (kg)	4.5	4	6	8	12	19.5	6.5	18	18
Max. Speed (mm/sec)	665	800	800	600	1000	800	500	800	800

ROBO GRIPPER



	GRS	GRM
Max. Stroke (mm)	10	14
Max. Push Force (N)	21	80
Max. Speed (mm/sec)	33.3	36.7

ROBO ROTARY



	RTB	RTC
Operating Range (°)	330	330
Max. Torque (N·m)	1.7	1.7
Max. Speed (°/sec)	600	600

