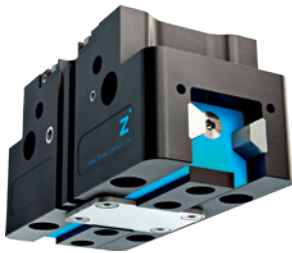


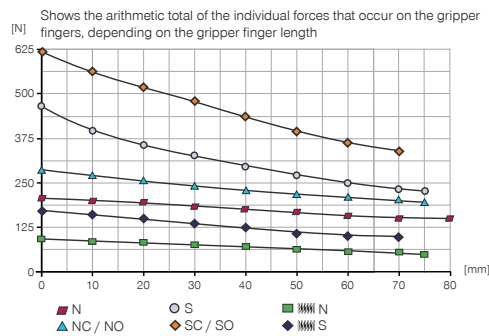
2-JAW PARALLEL GRIPPERS

INSTALLATION SIZE GPP5004

▶ PRODUCT SPECIFICATIONS

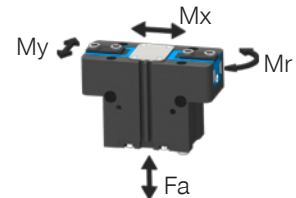


▶ Gripping force diagram



▶ Forces and moments

Displays static forces and moments that can also have an effect, besides the gripping force.



Mr [Nm]	14
Mx [Nm]	29
My [Nm]	23
Fa [N]	750

▶ TECHNICAL DATA

▶ Technical Data*

Order no.	GPP5004N-00-A	GPP5004NC-00-A	GPP5004NO-00-A	GPP5004S-00-A	GPP5004SC-00-A	GPP5004SO-00-A
Stroke per jaw [mm]	4	4	4	2	2	2
Gripping force in closing [N]	200	280		440	600	
Gripping force in opening [N]	215		295	470		630
Gripping force secured by spring min. [N]		80	80		160	160
Closing time [s]	0.015	0.015	0.025	0.015	0.015	0.025
Opening time [s]	0.015	0.025	0.015	0.015	0.025	0.015
Permissible weight per jaw max [kg]	0.2	0.2	0.2	0.2	0.2	0.2
Length of the gripper fingers max. [mm]	80	75	75	75	70	70
Repetition accuracy +/- [mm]	0.01	0.01	0.01	0.01	0.01	0.01
Operating pressure min. [bar]	3	4	4	3	4	4
Operating pressure max. [bar]	8	7	7	8	7	7
Operating temperature [°C]	-10 ... +90	-10 ... +90	-10 ... +90	-10 ... +90	-10 ... +90	-10 ... +90
Air volume per cycle [cm³]	5	12	12	5	12	12
Protection to IEC 60529	IP64	IP64	IP64	IP64	IP64	IP64
Weight [kg]	0.16	0.21	0.21	0.16	0.21	0.21

▶ Technical Data - Protector Version

Order no.	GPP5004N-21-A	GPP5004NC-21-A	GPP5004NO-21-A	GPP5004S-21-A	GPP5004SC-21-A	GPP5004SO-21-A
Protection to IEC 60529	IP67**	IP67**	IP67**	IP67**	IP67**	IP67**
Weight [kg]	0.25	0.3	0.3	0.25	0.3	0.3

▶ Technical Data - High Temperature Version

Order no.	GPP5004N-20-A	GPP5004NC-20-A	GPP5004NO-20-A	GPP5004S-20-A	GPP5004SC-20-A	GPP5004SO-20-A
Operating temperature [°C]	-10 ... +130	-10 ... +130	-10 ... +130	-10 ... +130	-10 ... +130	-10 ... +130

▶ Technical Data - High Temperature Protector Version

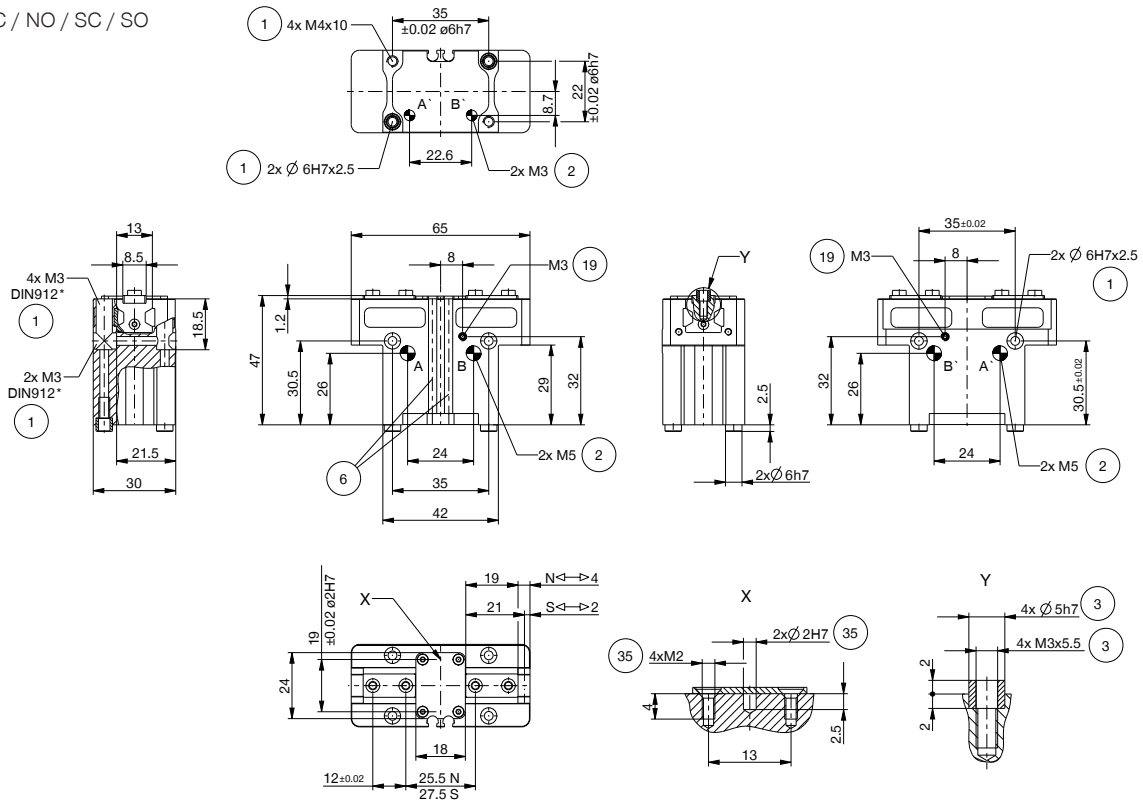
Order no.	GPP5004N-24-A	GPP5004NC-24-A	GPP5004NO-24-A	GPP5004S-24-A	GPP5004SC-24-A	GPP5004SO-24-A
Operating temperature [°C]	-10 ... +130	-10 ... +130	-10 ... +130	-10 ... +130	-10 ... +130	-10 ... +130
Protection to IEC 60529	IP67**	IP67**	IP67**	IP67**	IP67**	IP67**
Weight [kg]	0.25	0.3	0.3	0.25	0.3	0.3

*All data measured at 6 bar

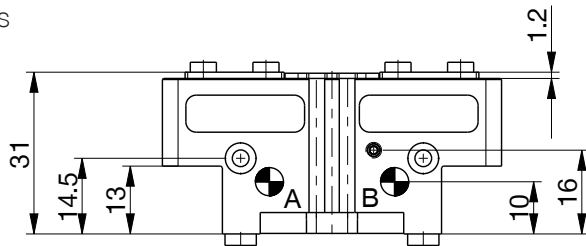
** with purged air (max. 0,5 bar)

TECHNICAL DRAWINGS

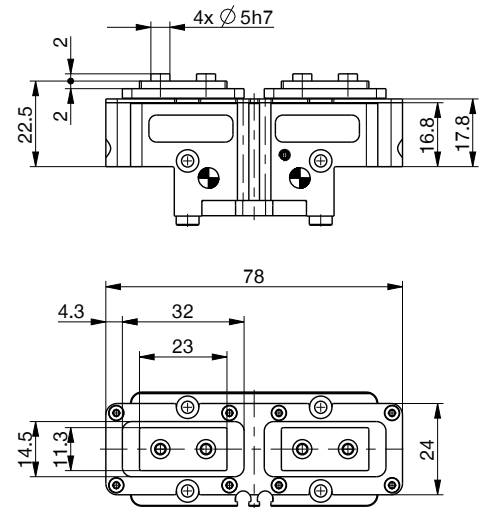
NC / NO / SC / SO



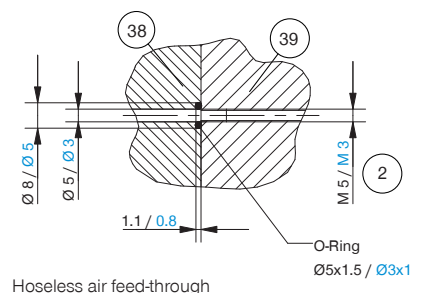
N / S



Protector version



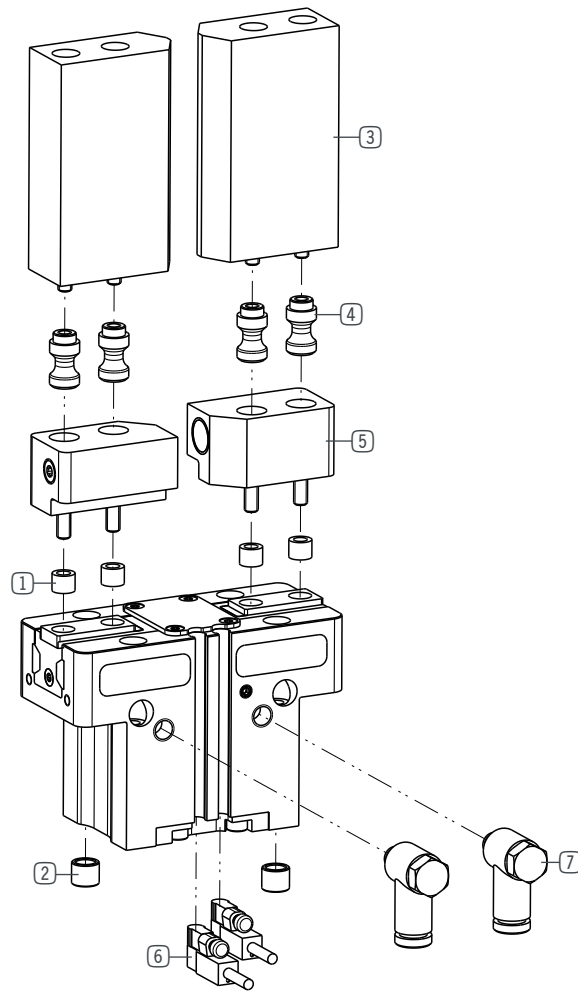
- ① Gripper attachment
- ② Energy supply
- ③ Fixing for gripper finger
- ⑥ Integrated slot for magnetic field sensor
- ⑱ Air purge connection option
- ⑳ Attachment option for customer-specific fittings
- ㉘ Adapter
- ㉙ Gripper
- Ⓐ Air connection (close)
- Ⓑ Air connection (open)
- Ⓐ Air connection, alternative (close)
- Ⓑ Air connection, alternative (open)



Hoseless air feed-through

2-JAW PARALLEL GRIPPERS

INSTALLATION SIZE GPP5004



▶ INCLUDED IN DELIVERY



Centering Disc

015761



Centering Disc

024230

▶ RECOMMENDED ACCESSORIES



Universal jaw aluminium

UB5004AL



Universal jaw steel

UB5004ST



Aluminum adjustment jaw

EB5004AL



Steel adjustment jaw

EB5004ST



Changeable jaw, loose-part-set

WB5004L



Changeable jaw, fix-part

WB5004F



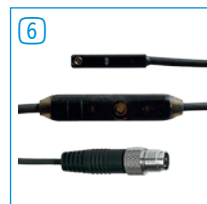
Magnetic field sensor Angled Cable 0,3 m - Connector M8

MFS103SKHC



Magnetic field sensor Straight Cable 0,3 m - Connector M8

MFS204SKHC



2-Position-Sensor Cable 0,3 m - Connector M8

MFSP2SKHC-02



Plug-in connector Straight Cable 5m - Socket M8 (female)

KAG500



Plug-in connector customizable Straight - Connector M8

S8-G-3



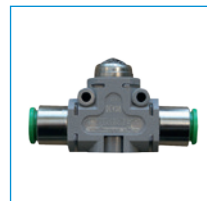
Straight Fittings - Quick Connect Style

GVM5



Angled Fittings - Quick Connect Style

WVM5



Quick Exhaust Valve

DEV04

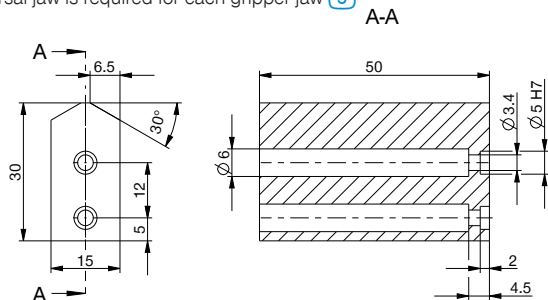


Pressure Safety Valve

DSV1-8

▶ TECHNICAL DRAWINGS ACCESSORIES

One universal jaw is required for each gripper jaw **3**



For each gripper jaw, one interchangeable jaw loose part set **4** and one interchangeable jaw fixed part **5** are needed

