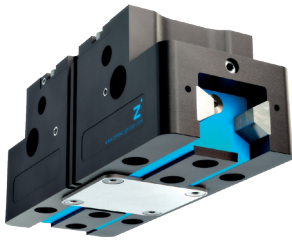


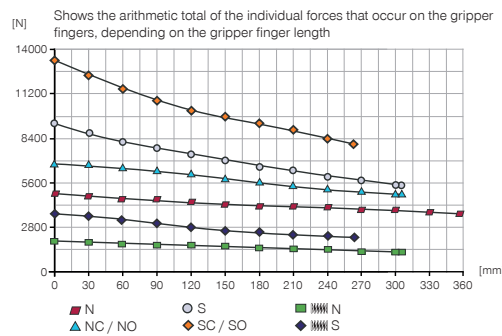
2-JAW PARALLEL GRIPPERS

INSTALLATION SIZE GPP5030

▶ PRODUCT SPECIFICATIONS

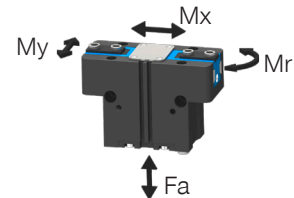


▶ Gripping force diagram



▶ Forces and moments

Displays static forces and moments that can also have an effect, besides the gripping force.



Mr [Nm]	210
Mx [Nm]	290
My [Nm]	310
Fa [N]	9500

▶ TECHNICAL DATA

▶ Technical Data*

Order no.	GPP5030N-00-A	GPP5030NC-00-A	GPP5030NO-00-A	GPP5030S-00-A	GPP5030SC-00-A	GPP5030SO-00-A
Stroke per jaw [mm]	30	30	30	17	17	17
Gripping force in closing [N]	5000	6850		9600	13160	
Gripping force in opening [N]	5210		7060	9990		13550
Gripping force secured by spring min. [N]		1850	1850		3560	3560
Closing time [s]	0.4	0.35	0.65	0.4	0.35	0.65
Opening time [s]	0.4	0.65	0.35	0.4	0.65	0.35
Permissible weight per jaw max [kg]	9.5	9.5	9.5	9.5	9.5	9.5
Length of the gripper fingers max. [mm]	355	305	305	305	260	260
Repetition accuracy +/- [mm]	0.04	0.04	0.04	0.04	0.04	0.04
Operating pressure min. [bar]	3	4	4	3	4	4
Operating pressure max. [bar]	8	7	7	8	7	7
Operating temperature [°C]	-10 ... +90	-10 ... +90	-10 ... +90	-10 ... +90	-10 ... +90	-10 ... +90
Air volume per cycle [cm³]	745	1430	1430	745	1430	1430
Protection to IEC 60529	IP64	IP64	IP64	IP64	IP64	IP64
Weight [kg]	9.2	12	12	9.2	12	12

▶ Technical Data - Protector Version

Order no.	GPP5030N-21-A	GPP5030NC-21-A	GPP5030NO-21-A	GPP5030S-21-A	GPP5030SC-21-A	GPP5030SO-21-A
Protection to IEC 60529	IP67**	IP67**	IP67**	IP67**	IP67**	IP67**
Weight [kg]	10.9	13.7	13.7	10.9	13.7	13.7

▶ Technical Data - High Temperature Version

Order no.	GPP5030N-20-A	GPP5030NC-20-A	GPP5030NO-20-A	GPP5030S-20-A	GPP5030SC-20-A	GPP5030SO-20-A
Operating temperature [°C]	-10 ... +130	-10 ... +130	-10 ... +130	-10 ... +130	-10 ... +130	-10 ... +130

▶ Technical Data - High Temperature Protector Version

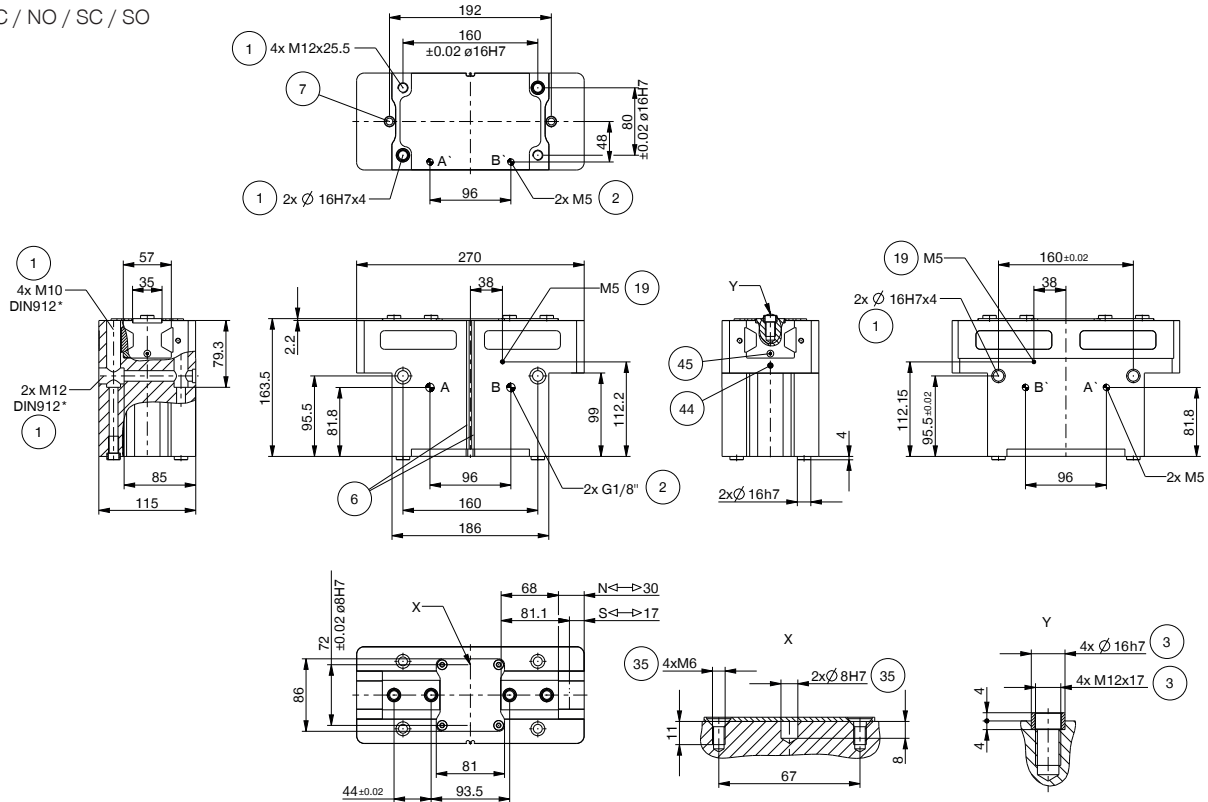
Order no.	GPP5030N-24-A	GPP5030NC-24-A	GPP5030NO-24-A	GPP5030S-24-A	GPP5030SC-24-A	GPP5030SO-24-A
Operating temperature [°C]	-10 ... +130	-10 ... +130	-10 ... +130	-10 ... +130	-10 ... +130	-10 ... +130
Protection to IEC 60529	IP67**	IP67**	IP67**	IP67**	IP67**	IP67**
Weight [kg]	10.9	13.7	13.7	10.9	13.7	13.7

*All data measured at 6 bar

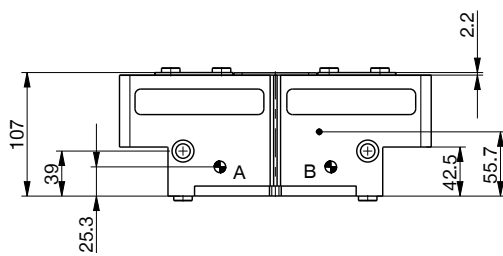
** with purged air (max. 0,5 bar)

TECHNICAL DRAWINGS

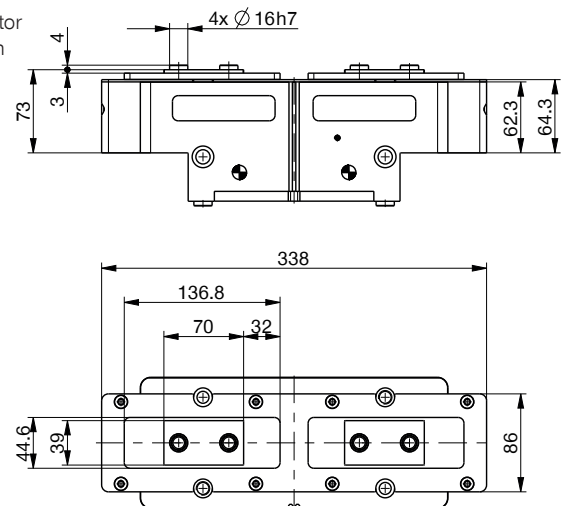
NC / NO / SC / SO



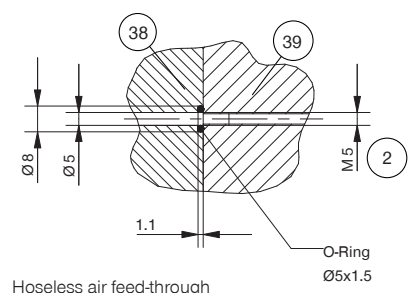
N / S



Protector
version



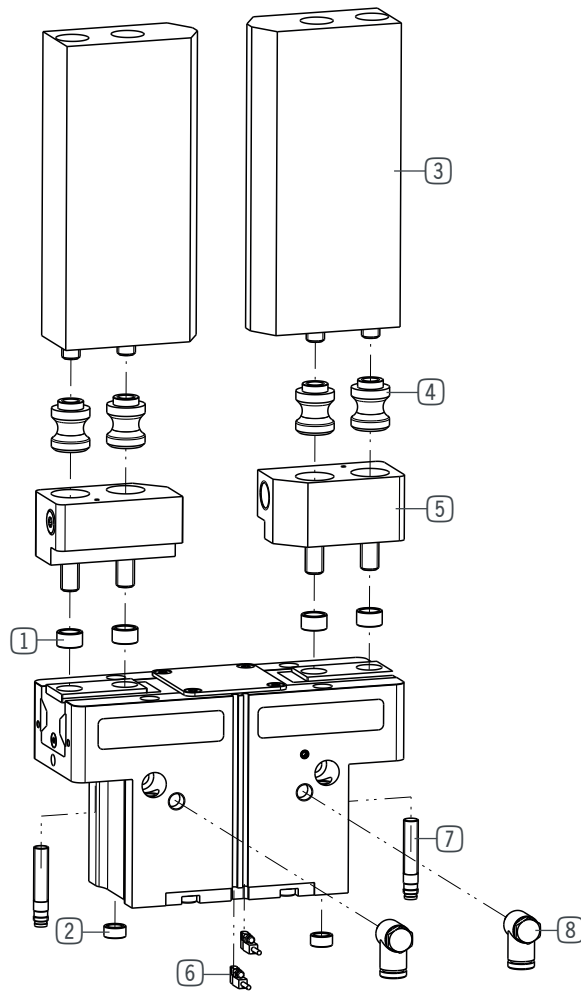
- ① Gripper attachment
- ② Energy supply
- ③ Fixing for gripper finger
- ⑥ Integrated slot for magnetic field sensor
- ⑦ Mounting block
- ⑱ Air purge connection option
- ⑳ Attachment option for customer-specific fittings
- ㉔ Adapter
- ㉙ Gripper
- ㉚ Clamp for sensor
- ㉛ Switch cam adjustment
- Ⓐ Air connection (close)
- Ⓑ Air connection (open)
- Ⓐ Air connection, alternative (close)
- Ⓑ Air connection, alternative (open)



Hoseless air feed-through

2-JAW PARALLEL GRIPPERS

INSTALLATION SIZE GPP5030



► INCLUDED IN DELIVERY



Centering Disc

030529

▶ RECOMMENDED ACCESSORIES



Universal jaw aluminium

UB5030AL



Universal jaw steel

UB5030ST



Aluminum adjustment jaw

EB5030AL



Steel adjustment jaw

EB5030ST



Changeable jaw, loose-part-set

WB5030L



Changeable jaw, fix-part

WB5030F



Inductive proximity switch - Connector M8

NJ8-E2S



Magnetic field sensor Angled Cable 0,3 m - Connector M8

MFS103SKHC



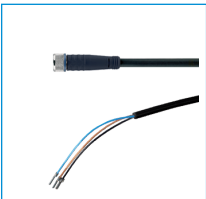
Magnetic field sensor Straight Cable 0,3 m - Connector M8

MFS204SKHC



2-Position-Sensor Cable 0,3 m - Connector M8

MFSP2SKHC-02



Plug-in connector Straight Cable 5m - Socket M8 (female)

KAG500



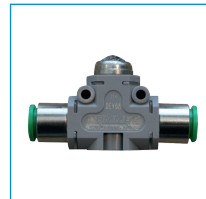
Plug-in connector customizable Straight - Connector M8

S8-G-3



Angled Fittings - Quick Connect Style

WV1-8X8



Quick Exhaust Valve

DEV08



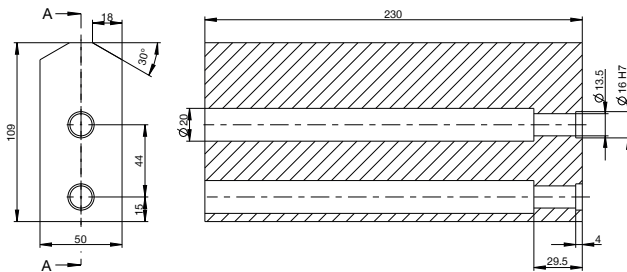
Pressure Safety Valve

DSV1-8

▶ TECHNICAL DRAWINGS ACCESSORIES

One universal jaw is required for each gripper jaw **3**

A-A



For each gripper jaw, one interchangeable jaw loose part set **4** and one interchangeable jaw fixed part **5** are needed

