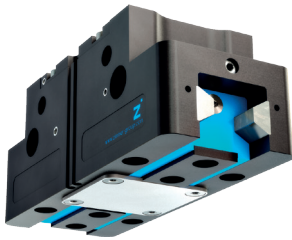


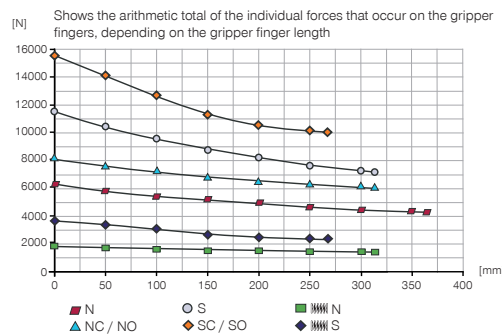
2-JAW PARALLEL GRIPPERS

INSTALLATION SIZE GPP5035

1 PRODUCT SPECIFICATIONS

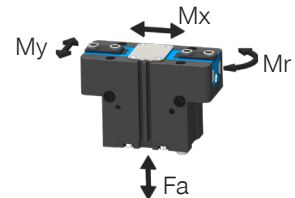


Gripping force diagram



Forces and moments

Displays static forces and moments that can also have an effect, besides the gripping force.



Mr [Nm]	260
Mx [Nm]	430
My [Nm]	450
Fa [N]	10400

TECHNICAL DATA

Technical Data*

Order no.	GPP5035N-00-A	GPP5035NC-00-A	GPP5035NO-00-A	GPP5035S-00-A	GPP5035SC-00-A	GPP5035SO-00-A
Stroke per jaw [mm]	35	35	35	20	20	20
Gripping force in closing [N]	6100	8000		11700	15500	
Gripping force in opening [N]	6300		8200	12100		15900
Gripping force secured by spring min. [N]		1900	1900		3700	3700
Closing time [s]	0.5	0.4	0.7	0.5	0.4	0.7
Opening time [s]	0.5	0.7	0.4	0.5	0.7	0.4
Permissible weight per jaw max [kg]	12.5	12.5	12.5	12.5	12.5	12.5
Length of the gripper fingers max. [mm]	365	315	315	315	260	260
Repetition accuracy +/- [mm]	0.05	0.05	0.05	0.05	0.05	0.05
Operating pressure min. [bar]	3	4	4	3	4	4
Operating pressure max. [bar]	8	6.5	6.5	8	6.5	6.5
Operating temperature [°C]	-10 ... +90	-10 ... +90	-10 ... +90	-10 ... +90	-10 ... +90	-10 ... +90
Air volume per cycle [cm³]	1185	2075	2075	1185	2075	2075
Protection to IEC 60529	IP64	IP64	IP64	IP64	IP64	IP64
Weight [kg]	15.8	18.6	18.6	16.1	18.9	18.9

Technical Data - High Temperature Version

Order no.	GPP5035N-20-A	GPP5035NC-20-A	GPP5035NO-20-A	GPP5035S-20-A	GPP5035SC-20-A	GPP5035SO-20-A
Operating temperature [°C]	-10 ... +130	-10 ... +130	-10 ... +130	-10 ... +130	-10 ... +130	-10 ... +130

Technical Data - Protector Version

Order no.	GPP5035N-21-A	GPP5035NC-21-A	GPP5035NO-21-A	GPP5035S-21-A	GPP5035SC-21-A	GPP5035SO-21-A
Protection to IEC 60529	IP67**	IP67**	IP67**	IP67**	IP67**	IP67**
Weight [kg]	20.2	23	23	20.5	23.3	23.3

Technical Data - High Temperature Protector Version

Order no.	GPP5035N-24-A	GPP5035NC-24-A	GPP5035NO-24-A	GPP5035S-24-A	GPP5035SC-24-A	GPP5035SO-24-A
Operating temperature [°C]	-10 ... +130	-10 ... +130	-10 ... +130	-10 ... +130	-10 ... +130	-10 ... +130
Protection to IEC 60529	IP67**	IP67**	IP67**	IP67**	IP67**	IP67**
Weight [kg]	20.2	23	23	20.5	23.3	23.3

*All data measured at 6 bar

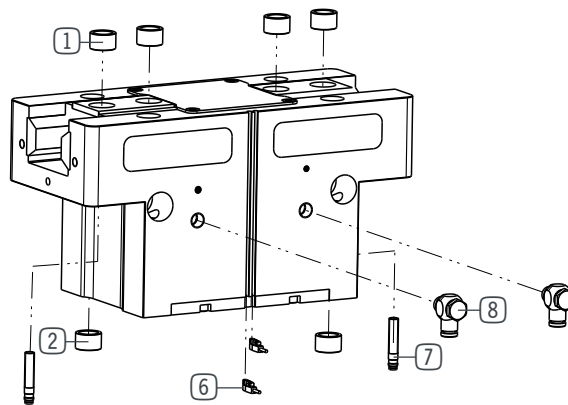
** with purged air (max. 0,5 bar)

2-JAW PARALLEL GRIPPERS

INSTALLATION SIZE GPP5035

1

Installation size GPP5035 / 2-Jaw Parallel Grippers / pneumatic / Grippers



▶ INCLUDED IN DELIVERY



Centering Disc

035358

▶ RECOMMENDED ACCESSORIES



Inductive proximity switch - Connector M8
NJ8-E2S



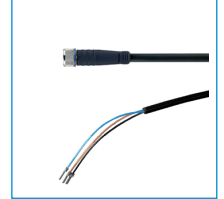
Magnetic field sensor Angled Cable 0,3 m - Connector M8
MFS103SKHC



Magnetic field sensor Straight Cable 0,3 m - Connector M8
MFS204SKHC



2-Position-Sensor Cable 0,3 m - Connector M8
MFSP2SKHC-02



Plug-in connector Straight Cable 5m - Socket M8 (female)
KAG500



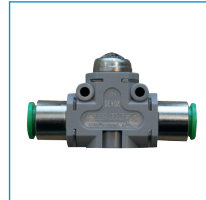
Plug-in connector customizable Straight - Connector M8
S8-G-3



Straight Fittings - Quick Connect Style
GV1-4X8



Angled Fittings - Quick Connect Style
WV1-4X8



Quick Exhaust Valve
DEV04



Pressure Safety Valve
DSV1-8