

Physical Dimensions

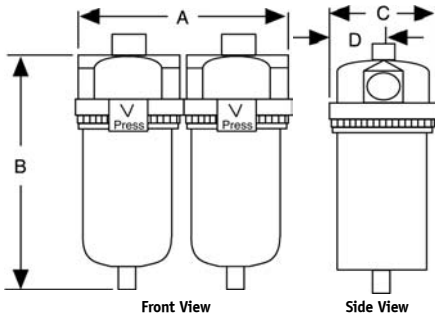
Model #	Description	A	B	C
1P-060-M04-PHP	Metal Bowl, Manual Drain	3.125	10.25	3.125
1P-120-M06-PHP	Metal Bowl, Manual Drain	4.75	15.375	4.75
1P-175-M08-PHP	Metal Bowl, Manual Drain	4.75	15.375	4.75

Specifications

Port Sizes	1/2", 3/4", 1"
Thread Styles	NPT
Flow Capacity	60, 120, 175 SCFM @ 100 PSI
Bowl Type	Metal High Pressure Aluminum Housing
Maximum Temp. & Pressure*	200°F 500 PSI
Filter Capacity	3.0 Micron and Larger

Replacement Parts & Accessories

Description	Part Number
Bowl O-Ring	OR-143 (60)
	OR-235 (120, 175)
Replacement Element	1P-060
	1P-120
	1P-175



Physical Dimensions

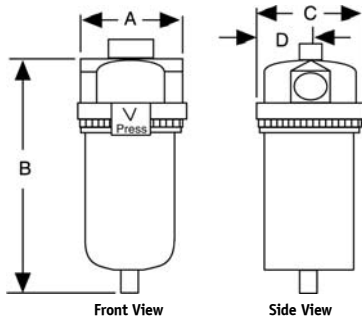
Model #	Description	A	B	C
1P-060-M04-DCHP	Metal Bowl, Manual Drain	7.25	10.25	3.125
1P-090-M06-DCHP	Metal Bowl, Manual Drain	10.5	15.375	4.75
1P-150-M08-DCHP	Metal Bowl, Manual Drain	10.5	15.375	4.75

Specifications

Port Sizes	1/2", 3/4", 1"
Thread Styles	NPT
Flow Capacity	60, 90, 150 SCFM @ 100 PSI
Bowl Type	Metal High Pressure Aluminum Housing
Maximum Temp. & Pressure*	200°F 500 PSI
Filter Capacity	0.01 Micron and Larger

Replacement Parts & Accessories

Description	Part Number
Bowl O-Ring	OR-143 (60)
	OR-235 (90, 150)
Replacement Element: 1st Stage	1P-060
	1P-090
	1P-150
Replacement Element: 2nd Stage	3C-060
	3C-090
	3C-150



Physical Dimensions

Manual Drain Models:

Model #	Description	A	B	C
3P-060-M04-PHP	1/2" Port, Metal Bowl, Manual Drain	3.125	10.25	3.125
3P-090-M06-PHP	3/4" Port, Metal Bowl, Manual Drain	4.75	15.375	4.75
3P-150-M06-PHP	3/4" Port, Metal Bowl, Manual Drain	4.75	15.375	4.75
3P-150-M08-PHP	1" Port, Metal Bowl, Manual Drain	4.75	15.375	4.75

Auto Drain Models:

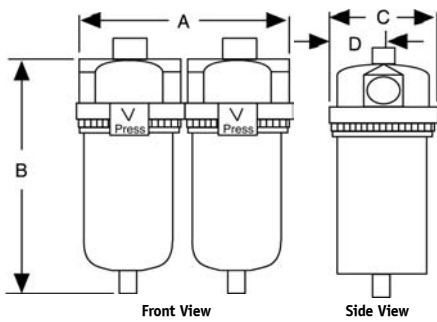
Model #	Description	A	B	C
3P-060-M04-FHP	1/2" Port, Metal Bowl, Float Drain	3.125	10.0	3.125
3P-090-M06-FHP	3/4" Port, Metal Bowl, Float Drain	4.75	15.375	4.75
3P-150-M06-FHP	3/4" Port, Metal Bowl, Float Drain	4.75	15.375	4.75
3P-150-M08-FHP	1" Port, Metal Bowl, Float Drain	4.75	15.375	4.75

Specifications

Port Sizes	1/2", 3/4", 1"
Thread Styles	NPT
Flow Capacity	60, 120, 175 SCFM @ 100 PSI
Bowl Type	Metal High Pressure Aluminum Housing
Maximum Temp. & Pressure*	200°F 500 PSI Manual 250 PSI Float
Filter Capacity	1.0 Micron and Larger

Replacement Parts & Accessories

Description	Part Number
Bowl O-Ring	OR-143 (60)
	OR-235 (090, 150)
Replacement Element	3P-060
	3P-090
	3P-150



Physical Dimensions

Manual Drain Models:

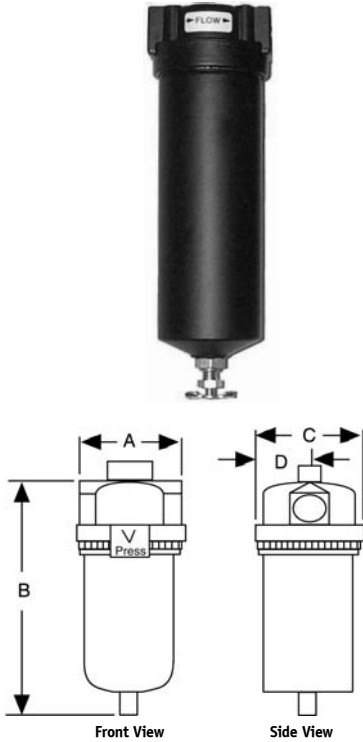
Model #	Description	A	B	C
3P-060-M04-DCHP	1/2" Port, Metal Bowl, Manual Drain	7.25	10.25	3.125
3P-090-M06-DCHP	3/4" Port, Metal Bowl, Manual Drain	10.5	15.375	4.75
3P-150-M06-DCHP	3/4" Port, Metal Bowl, Manual Drain	10.5	15.375	4.75
3P-150-M08-DCHP	1" Port, Metal Bowl, Manual Drain	10.5	15.375	4.75

Specifications

Port Sizes	1/2", 3/4", 1"
Thread Styles	NPT
Flow Capacity	60, 90, 150 SCFM @ 100 PSI
Bowl Type	Metal High Pressure Aluminum Housing
Maximum Temp. & Pressure*	200°F 500 PSI
Filter Capacity	0.01 Micron and Larger

Replacement Parts & Accessories

Description	Part Number
Bowl O-Ring	OR-143 (60)
	OR-235 (90, 150)
Replacement Element: 1st Stage	3P-060
	3P-090
	3P-150
Replacement Element: 1st Stage	3C-060
	3C-090
	3C-150



Physical Dimensions

Manual Drain Models:

Model #	Description	A	B	C
3C-060-M04-DCHP	1/2" Port, Metal Bowl, Manual Drain	7.25	10.25	3.125
3C-090-M06-DCHP	3/4" Port, Metal Bowl, Manual Drain	10.5	15.375	4.75
3C-150-M06-DCHP	3/4" Port, Metal Bowl, Manual Drain	10.5	15.375	4.75
3C-150-M08-DCHP	1" Port, Metal Bowl, Manual Drain	10.5	15.375	4.75

Specifications

Port Sizes	1/2", 3/4", 1"
Thread Styles	NPT
Flow Capacity	60, 90, 150 SCFM @ 100 PSI
Bowl Type	Metal High Pressure Aluminum Housing
Maximum Temp. & Pressure*	200°F 500 PSI
Filter Capacity	0.01 Micron and Larger

Replacement Parts & Accessories

Description	Part Number
Bowl O-Ring	OR-143 (60)
	OR-235 (90, 150)
Replacement Element:	3C-060
	3C-090
	3C-150